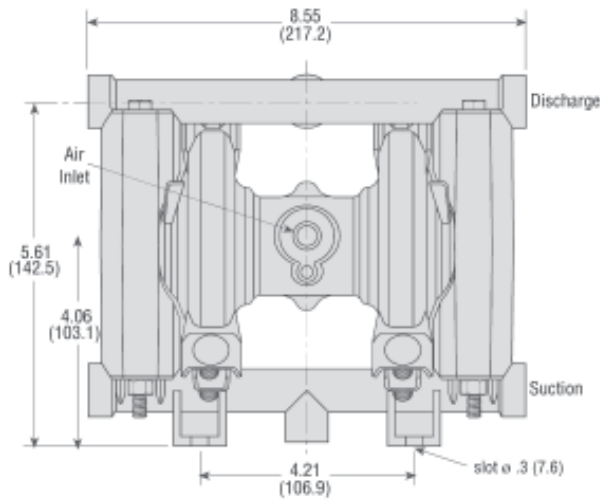
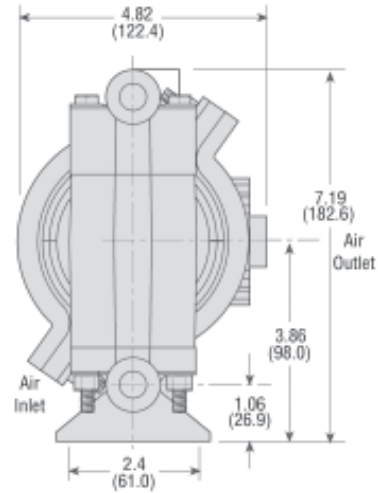


3/8" Clamped Version (non-metallic)



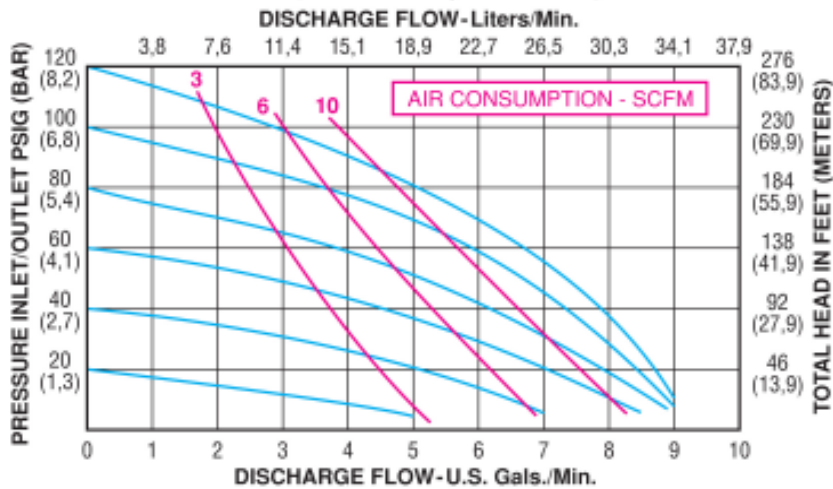
Front View

Dimensions in inches and (mm).



Side View

PERFORMANCE CURVE (Based on water-flooded suction)



Operating data / Dimensions / Weights			
	3/8" PP	3/8" Kynar®	3/8" Nylon
Housing material	Polypropylene	Kynar®	Nylon
Diaphragm materials	Geolast®, Santoprene®, Teflon®, Viton®	Teflon®, Santoprene®/EPDM and Viton®	Geolast®, Teflon®, Viton®
Valve material	Geolast®, Santoprene®, Teflon®, Viton®	Teflon®, Santoprene®/EPDM and Viton®	Geolast®, Teflon®, Viton®
Seats	Geolast®, EPDM, Teflon®, Viton®	Teflon®	Geolast®, Teflon®
Flow rate	9 gpm	9 gpm	9 gpm
Volume per stroke*	.012 gal/stroke	.012 gal/stroke	.012 gal/stroke
Suction lift dry: with Max-Pass Valve™	17 ft	17 ft	17 ft
Suction lift Teflon®	9.8 ft	9.8 ft	9.8 ft
Operating pressure	120 psi	120 psi	120 psi
Temperature limits	150 °F	200 °F	150 °F
Solids handling	max. ∅ 0.25 in	max. ∅ 0.25 in	max. ∅ 0.25 in
Air inlet	1/4" NPS female G 1/2 BSP female	1/4" NPS female G 1/2 BSP female	1/4" NPS female G 1/2 BSP female
Air outlet	3/8" NPS female	3/8" NPS female	3/8" NPS female
Suction	3/8" NPS female	3/8" NPS female	3/8" NPS female
Discharge	3/8" NPS female	3/8" NPS female	3/8" NPS female
Weight	3.7 lbs	5 lbs	5 lbs

*Based on flooded suction conditions with water and 100 psi air pressure.

Type	Materials of construction		Part No.
	Housing	Diaphragm, Valves, Seals	
DMP 3/8" PPB Geolast®	PP	Geolast®	LJPG-C3/8
DMP 3/8" PPE Santoprene®	PP	Santoprene®	LJPE-C3/8
DMP 3/8" PPT/TF Teflon®	PP	Teflon®	LJPT-C3/8
DMP 3/8" PPV Viton®	PP	Viton®	LJPV-C3/8
DMP 3/8" KNE Santoprene®	Kynar®	Santoprene®	LJKE-C3/8
DMP 3/8" KNT Teflon®	Kynar®	Teflon®	LJKT-C3/8
DMP 3/8" KNV Viton®	Kynar®	Viton®	LJKV-C3/8
DMP 3/8" NTC Teflon®*	Nylon	Teflon®	LJCT-C3/8
DMP 3/8" NBC Geolast®*	Nylon	Geolast®	LJCGI-C3/8
DMP 3/8" NVC Viton®*	Nylon	Viton®	LJCTV-C3/8

*conductive version Ex II 2G CT4

Material description:

Geolast® = NBR/PP compound
 Kynar® = PVDF = Polyvinylidene fluoride
 Nylon = PA = Polyamide-compound
 Polypropylene = PP
 Santoprene® = EPDM/PP-compound
 Teflon® = PTFE = Polytetrafluorethylene
 Viton® = FPM = Fluoro Elastomer

Typical application

Chemical recirculation and feed, liquids with solid particles, e.g. paints and lacquers, electroplating, etc.

Teflon® and Viton® are registered Trademarks of DuPont Company. Kynar® is a registered Trademark of Penwalt Corp. Santoprene® is a registered Trademark of Monsanto Company. Geolast® is a registered Trademark of Advanced Elastomer Systems.